

66-C10 General Purpose Winch

Safety Precautions:

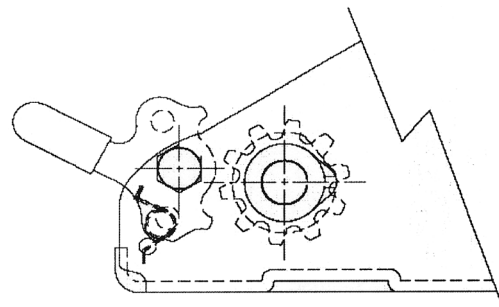
- You must completely read and understand all the following instructions before installation and use of this product. Do not allow people unfamiliar with the operation of this product to use it.
- Installation of this winch must conform to the mounting instructions provided in these instructions. *Wildlife Supply Company®* cannot be held responsible for misuse, incorrect installation, or poor maintenance of this product.
- Any cable, rope or straps used must be inspected before each use and must be rated strong enough to handle the load. Do not use cables, straps or ropes that are frayed.
- Stay as far away as possible from ropes, cables or straps as they may whip if they snap.
- Do not allow the cable, rope or strap to unwind completely. Always keep at least three (3) complete wraps around the drum. The rope, cable or strap and connectors will not support loads alone.
- Do not use this winch to connect any boat or watercraft to a trailer, or to attach a load to a boat or trailer.
- Any substantial force exerted on the handle of this winch may indicate that the winch is overloaded. This winch normally requires 35-45 lbs. of force on the handle to operate correctly.
- The ratchet pawl on this winch will **not** hold a load as it is being let out.
- Do not release the handle unless you are sure that the ratchet pawl is pulley engaged and completely supporting the load. A ratchet pawl that is clicking is not fully engaged and will not support the load. Premature release of the handle can cause it to spin violently, which can result in serious bodily injury or duty.
- Do **not** use this winch to lift people.
- Do **not** allow any people to be in, on, behind or under a load that is being moved.
- Do **not** surpass the rated capacity of the winch.

- Before switching the handle from the 1:1 ratio to the 1:5, be certain that the ratchet pawl is completely engaged and holding the load. It is **not** recommended to switch the handle from the 1:5 to the 1:1 ratio while lifting a load, as you will lose the mechanical advantage provided by the smaller gear and you may lose control of the load.
- Do **not** operate the winch if your hands are oily or wet. Always grip the winch handle firmly.
- If these safety precautions are not followed, serious bodily injury, death and/or property damage may occur.

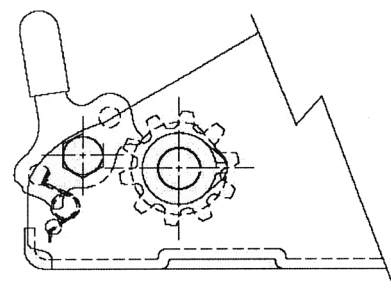
Maintenance:

- All gears should have a thin coat of grease on them at all times.
- Apply a few drops of oil regularly to the drum support bolt to extend its service life.
- Apply a few drops of oil regularly to the ratchet pawl and bushings to extend their service life.
- The ratchet pawl mechanism must be kept clean and free of dirt, paint, ice etc. in order for it to function properly.

Ratchet Pawl Disengaged:



Ratchet Pawl Engaged:



Winch Specifications:

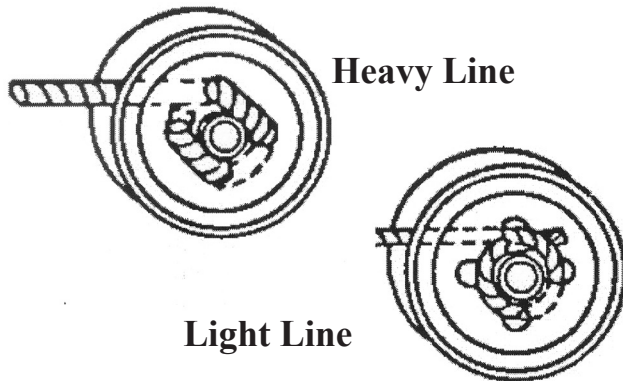
- Model Number: 66-C10
(Modified Fulton T1801)
- Rated Capacity: 1800 lbs. (800 kg)
- Gear Ratio, selectable: 1:1 or 1:5
- Mechanical Advantage: 62:1
- Handle Length: 10" (254 mm)
- Ratchet Pawl: Two way
- Drum Capacity: 20' x 7/16" rope
- Hub Diameter: 7/8" (22.2 mm)
- Strap Mounting Bolt: 3/8" x 2-3/4", Grade 5
- Hand Brake: No

Installation:

Any stand to which the winch is attached must be capable of receiving the winch. It must be strong enough and large enough to accommodate the winch base. When assembling, use flat washers under the heads of the 3/8" bolts (Grade 5 or better). Use the bolts and washers on the slotted holes at the four corners of the base. Use lock washers along with nuts to securely fasten the bolts. Tighten to the recommended torque for the bolt you are using. Attach the cable, rope or strap to the hub such that the ratchet pawl will click when the line is wound onto the winch.

Rope:

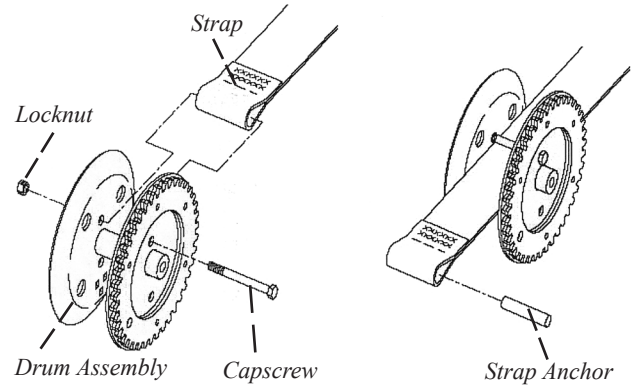
Connecting as rope to the winch requires no extra hardware. Wind the rope through the holes on the sides of the drum as shown for the given load.



P/N 24-66C10
 © Wildlife Supply Company. Wildco® and Wildlife Supply Company are registered trademarks of Morris & Lee Inc. All rights reserved.

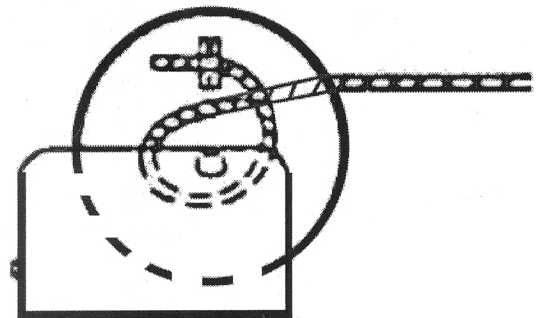
Strap:

The winch has holes in the drum for a bolt to pass through a strap. A hardened bolt (Grade 5 or better) is suggested. Do not overtighten the bolt as it may bend the drum. If your strap has an anchor, pass the strap under the cross bolt, slide the anchor in place, then pull the strap tightly into place.



Steel Cable:

Thread the steel cable through the hole in the side of the drum, passing it from the inside to the outside. Wrap the steel cable around the drum hub one turn and continue to insert the steel cable at least one inch past the clamp location. Attach a clamp to the end of the cable on the outside of the drum. Always maintain at least three (3) complete wraps of the steel cable around the drum hub at all time.



Warranty and Parts:

We replace all missing or defective parts free of charge. All products guaranteed free from defect for 90 days. This guarantee does not include accident, misuse, or normal wear and tear.